

LOW EAVE (GUTTER)

DD0010 - GUTTER - WALL PANEL

DD0030 - GUTTER- MASONRY WALL

DD0050 - GUTTER with NO WALL

DD0310 - HORIZONTAL GUTTER - WALL PANEL

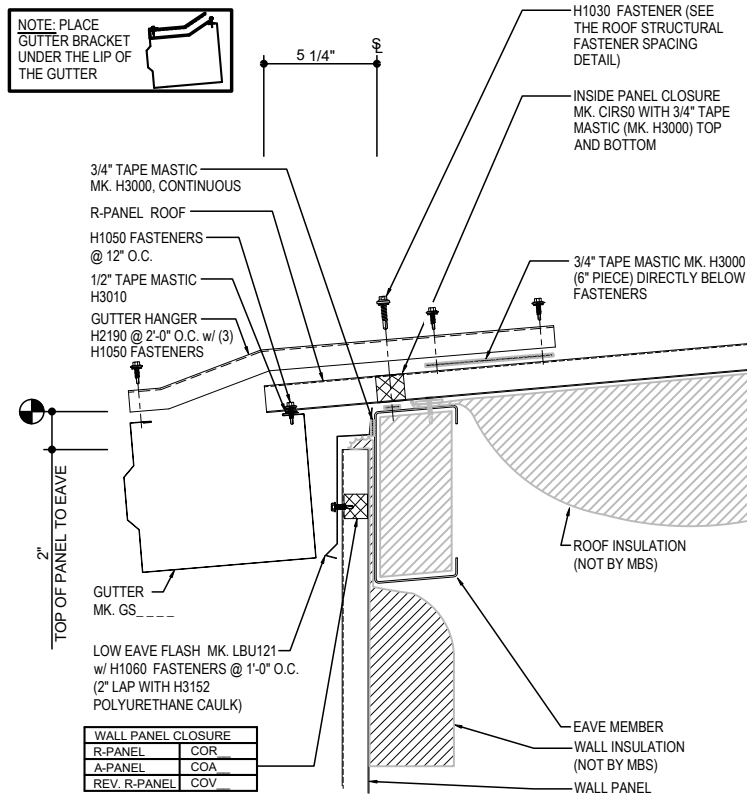
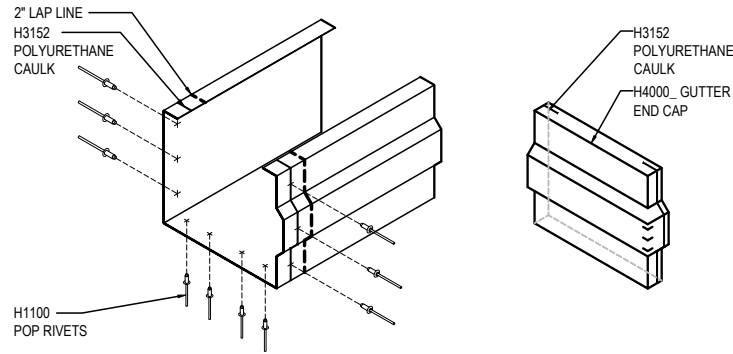
DD0400 - HORIZONTAL GUTTER with MASONRY WALL

DD0010 - GUTTER w/ WALL PANEL

[Download the DWG file by clicking here.](#)

GUTTER LAP & END CAP

APPLY BEAD OF POLYURETHANE CAULK 1" FROM END OF TRIM AND LAP SECTIONS 2" AND FASTEN AS SHOWN. TO TERMINATE THE GUTTER APPLY POLYURETHANE CAULK TO THREE SIDES OF END CAP AND TOP RETURN AREA AS SHOWN AND INSERT INTO THE GUTTER LEAVING 1/2" EXPOSED. ATTACH WITH RIVETS SAME AS END LAP.



EAVE GUTTER DETAIL

EAVE GUTTER DETAIL w/ WALL PANELS
SEE WALL SHEETING ERECTION NOTES FOR WALL PANEL FASTENER LOCATIONS

DD0010

Detailer Notes:

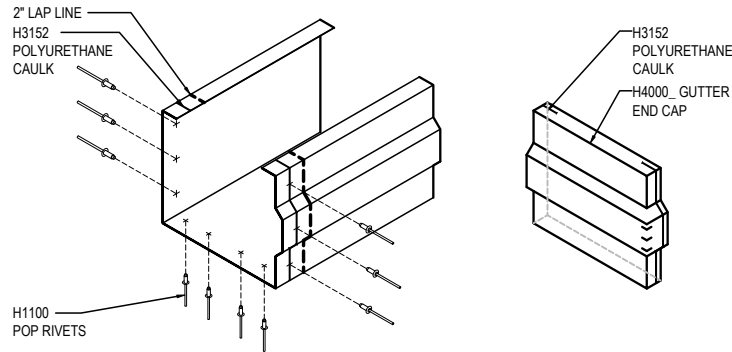
- 1) CLOSURES LOW EAVE LAYER DEFAULT IS ON. LAYER MUST BE TURNED OFF IF CLOSURES ARE NOT REQUIRED.

DD0030 - GUTTER w/ MASONRY WALL

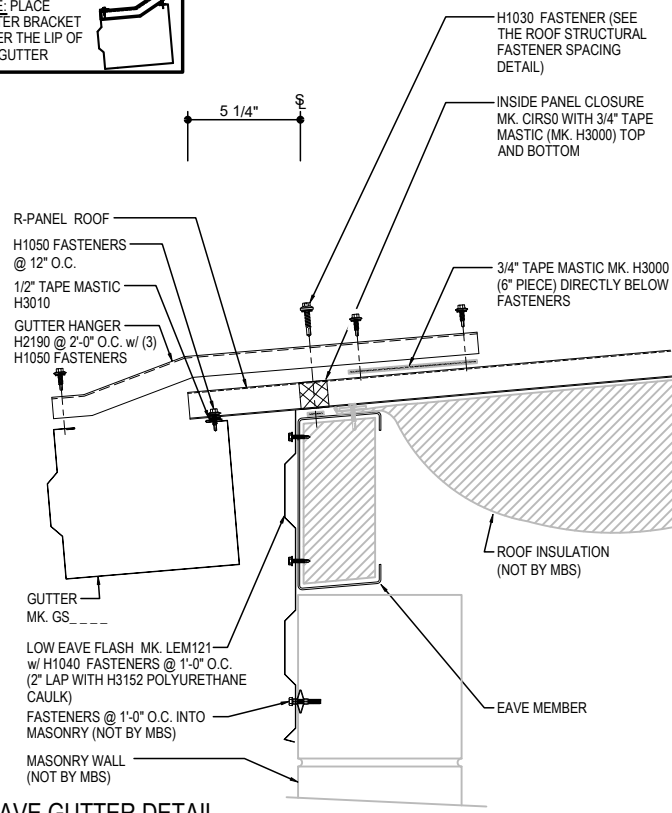
[Download the DWG file by clicking here.](#)

GUTTER LAP & END CAP

APPLY BEAD OF POLYURETHANE CAULK 1" FROM END OF TRIM AND LAP SECTIONS 2" AND FASTEN AS SHOWN. TO TERMINATE THE GUTTER APPLY POLYURETHANE CAULK TO THREE SIDES OF END CAP AND TOP RETURN AREA AS SHOWN AND INSERT INTO THE GUTTER LEAVING 1/2" EXPOSED. ATTACH WITH RIVETS SAME AS END LAP.



NOTE: PLACE GUTTER BRACKET UNDER THE LIP OF THE GUTTER



EAVE GUTTER DETAIL

R-Panel ROOF AT MASONRY WALL

DD0030

Detailer Notes:

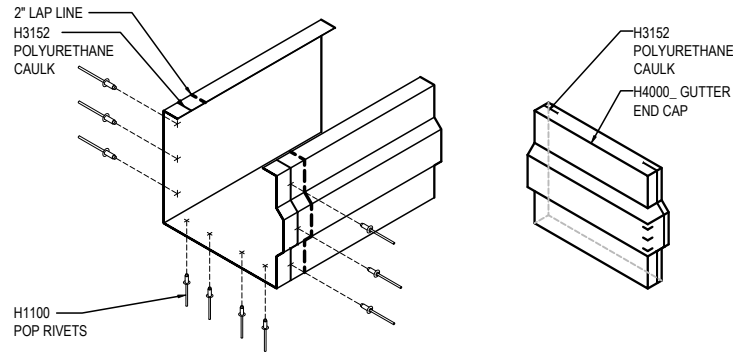
- 1) CLOSURES LOW EAVE LAYER DEFAULT IS ON. LAYER MUST BE TURNED OFF IF CLOSURES ARE NOT REQUIRED.

DD0050 - GUTTER w/ NO WALL

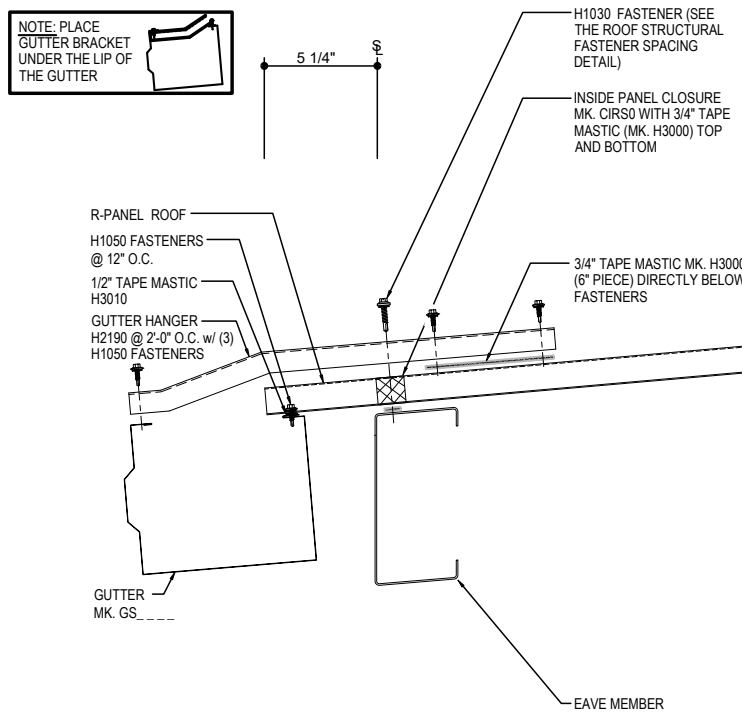
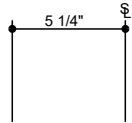
[Download the DWG file by clicking here.](#)

GUTTER LAP & END CAP

APPLY BEAD OF POLYURETHANE CAULK 1" FROM END OF TRIM AND LAP SECTIONS 2" AND FASTEN AS SHOWN. TO TERMINATE THE GUTTER APPLY POLYURETHANE CAULK TO THREE SIDES OF END CAP AND TOP RETURN AREA AS SHOWN AND INSERT INTO THE GUTTER LEAVING 1/2" EXPOSED. ATTACH WITH RIVETS SAME AS END LAP.



NOTE: PLACE GUTTER BRACKET UNDER THE LIP OF THE GUTTER



EAVE GUTTER DETAIL

R-PANEL ROOF WITHOUT WALL PANEL

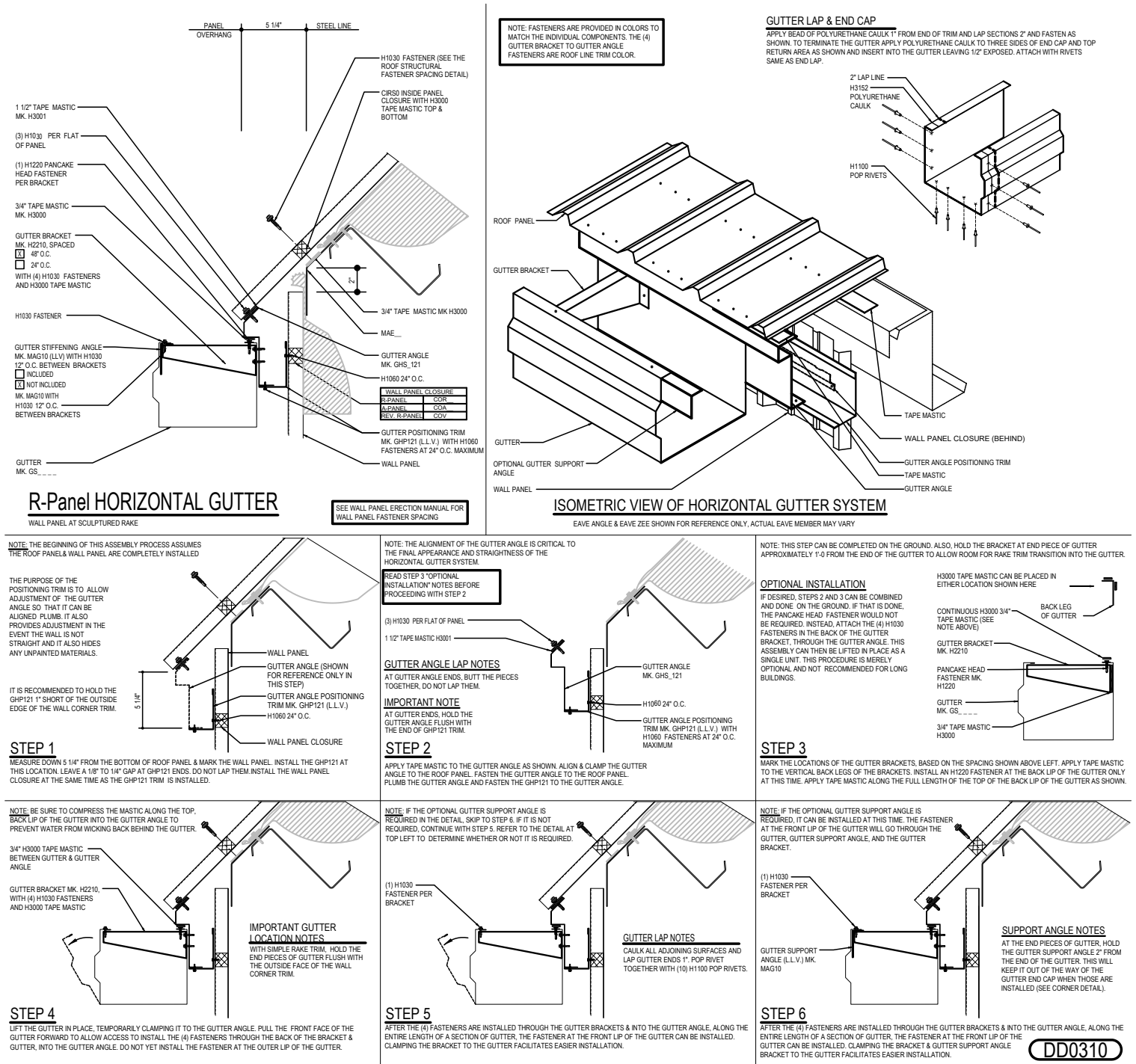
DD0050

Detailer Notes:

- 1) N/A

DD0310 - HORIZONTAL GUTTER w/ WALL PANEL

Download the DWG file by clicking here.

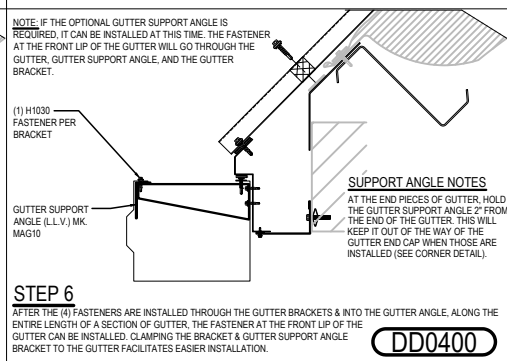
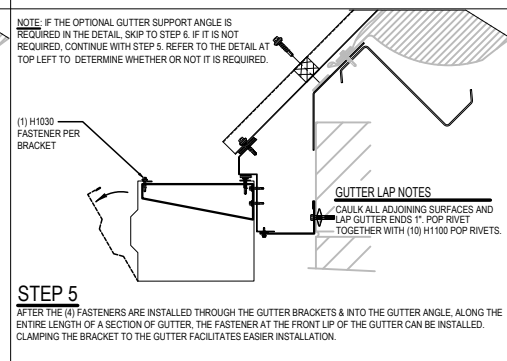
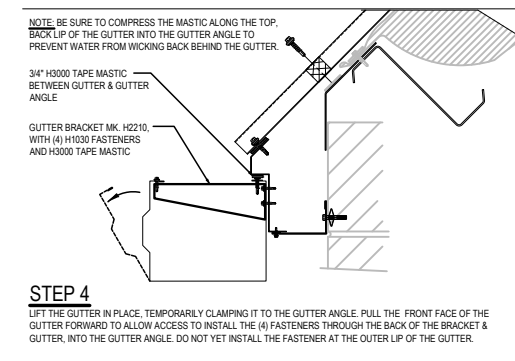
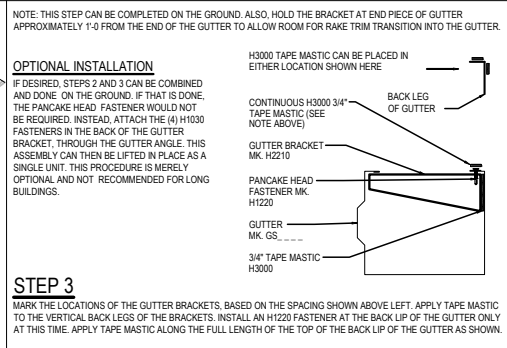
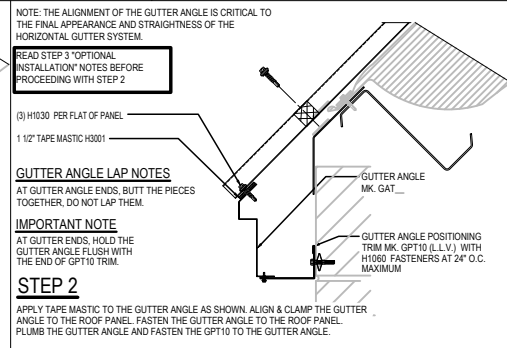
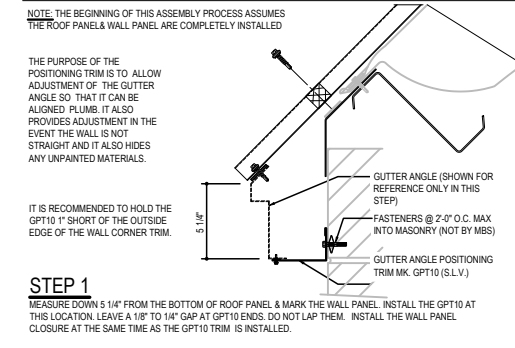
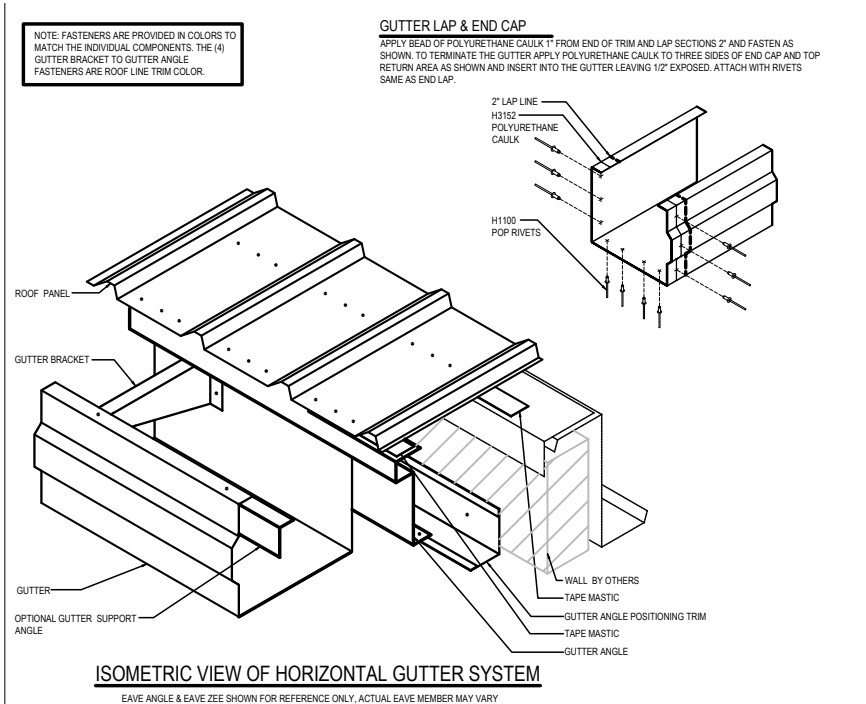
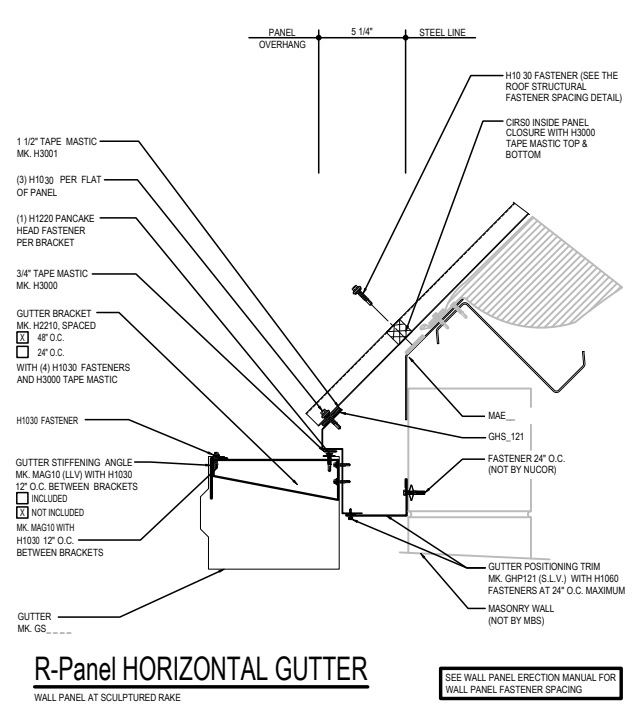


Detailer Notes:

- 1) CLOSURES LOW EAVE LAYER DEFAULT IS ON. LAYER MUST BE TURNED OFF IF CLOSURES ARE NOT REQUIRED.

DD0400 - HORIZONTAL GUTTER w/ MASONRY WALL

Download the DWG file by clicking here.



Detailer Notes:

1) CLOSURES LOW EAVE LAYER DEFAULT IS ON. LAYER MUST BE TURNED OFF IF CLOSURES ARE NOT REQUIRED.

